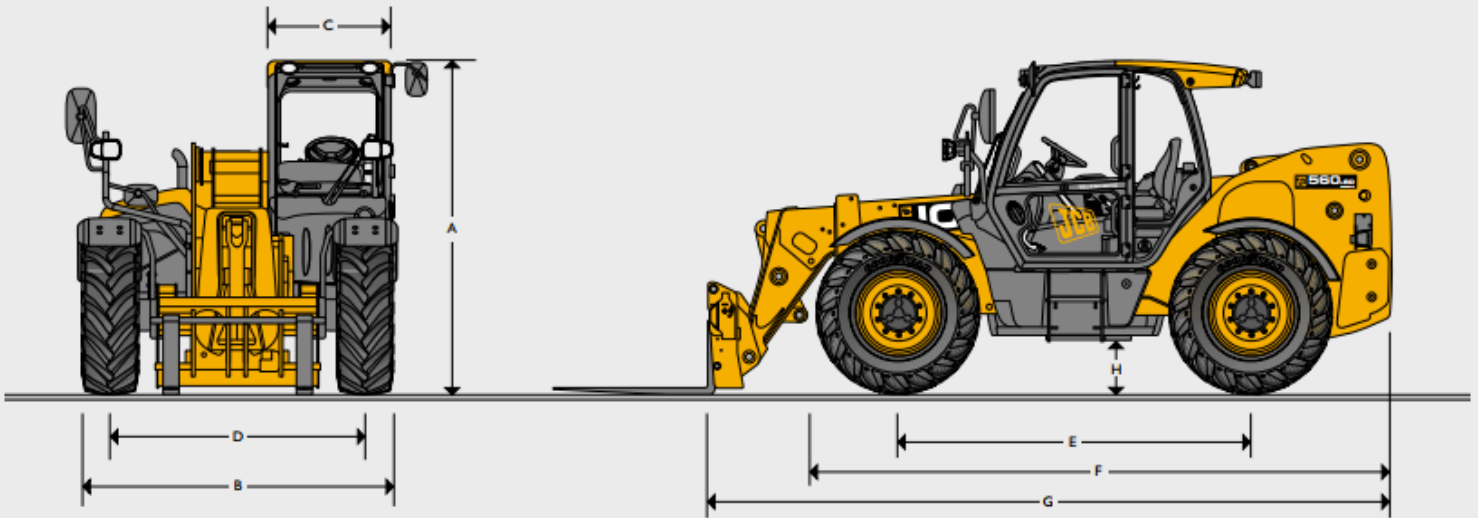


## STATIC DIMENSIONS

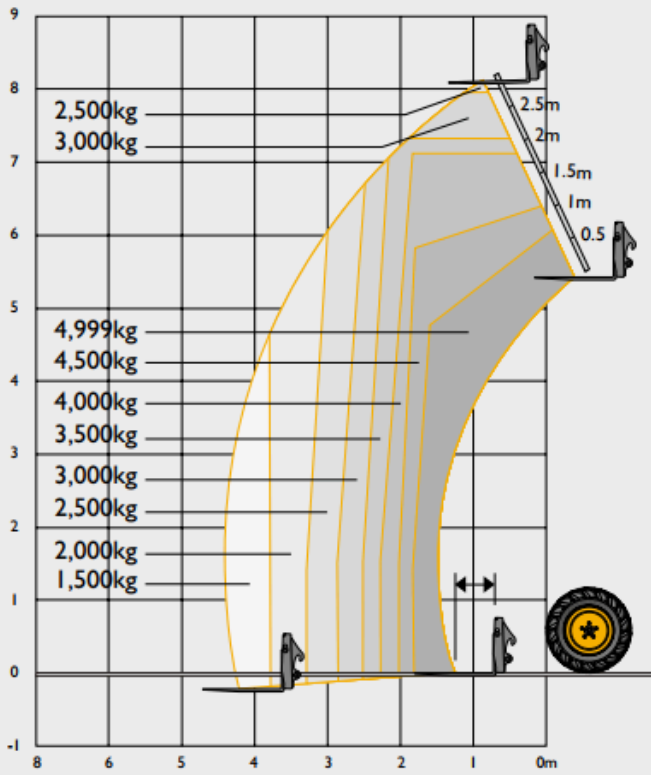


			550-80	560-80
A	Overall height	m		2.59
B	Overall width (over tyres)*	m	2.42	2.54
C	Inside width of cab	m		0.94
D	Front track	m		1.98
E	Wheelbase	m		2.75
F	Overall Length to front of tyres	m		4.42
G	Overall length to front of carriage	m		5.27
H	Ground clearance	m		0.4
	Outside turn radius (over tyres)	m		4.1
	Carriage rollback angle	degrees		47
	Carriage dump angle	degrees		33
	Weight	kg	10150	10750
	Tyres		440/80 R24	500/70 R24

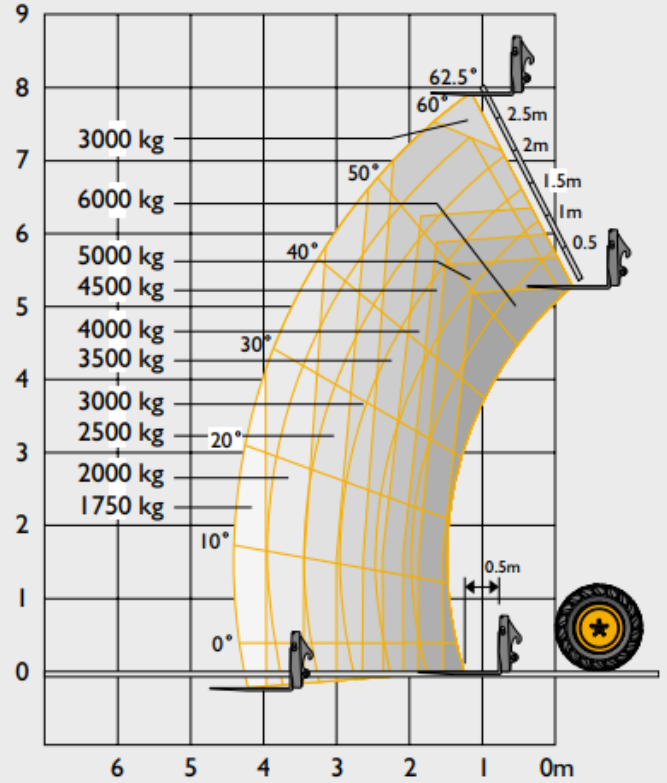
\* Dependant upon tyre specified

## LIFT PERFORMANCE

550-80



560-80



		550-80	560-80
Maximum lift capacity	kg	4999	6000
Lift capacity to full height	kg	2500	3000
Lift capacity at full reach	kg	1500	1750
Lift height	m	8.1	7.9
Reach at maximum lift height	m	0.97	0.92
Maximum forward reach	m	4.47	4.41
Reach with 1 tonne load	m	4.47	4.41
Placing height	m	7.45	6.64

Complies with stability test EN 1459 Annex B.